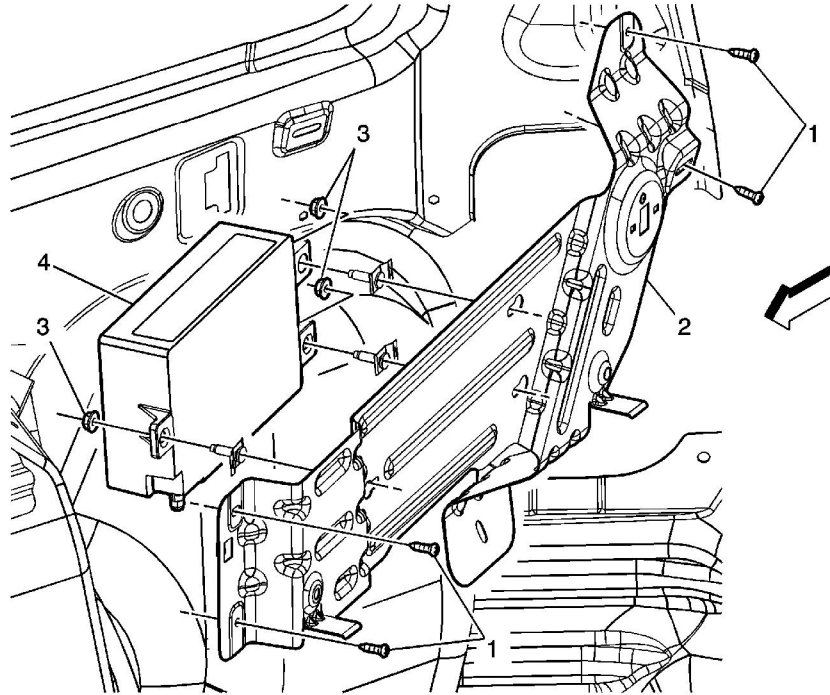


# Communication Interface Module Replacement



Callout	Component Name
<b>Preliminary Procedures</b>  1. Remove the rear seat. Refer to <a href="#">Rear Seat Replacement</a> . 2. Remove the right rear quarter lower trim panel. Refer to <a href="#">Quarter Lower Rear Trim Panel Replacement</a> .	
1	Quarter Inner Trim Panel Bracket Screw (Qty: 4)  <b>Notice:</b> Refer to <a href="#">Fastener Notice</a> in the Preface section.  <b>Tighten</b> 10 N·m (89 lb in)
2	Quarter Inner Trim Panel Bracket
3	Communication Interface Module Nut (Qty: 3)  <b>Tighten</b> 10 N·m (89 lb in)
	Communication Interface Module  <b>Procedure</b>

© 2012 General Motors Corporation. All rights reserved.

4

1. Disconnect the electrical connector.
2. Reprogram the communication interface module after installation. Refer to [Control Module References](#) .